



Endeavor™ Line Cased/Uncased Coils For Gas and Oil Furnaces



RCFZ

Featuring Industry Standard R-410A

Refrigerant

Airflow Capacity

600-1,900 CFM [283-897 L/s]

Table of Contents

| | |
|-----------------------------------|-----|
| Features & Benefits | 3 |
| Model Number Identification | 4 |
| Coil Specifications..... | 5-6 |
| Coil Dimensions and Weights | 7 |
| Accessories | 8-9 |
| Limited Warranty..... | 12 |

Features & Benefits

- Ruud® Indoor Furnace cased coils and replacement uncased coils are designed for use with Ruud outdoor units and are available for vertical upflow or downflow, and horizontal left or horizontal right airflow. When matched with Ruud outdoor units, the coils provide a nominal capacity range from 18,000 BTU/HR [5.24 kW] to 60,000 BTU/HR [17.6 kW]
- Constructed of aluminum fins bonded to internally grooved aluminum tubing
- Coils are tested at the factory with an extensive refrigerant leak check
- Coils have copper sweat refrigerant connections
- Feature two sets of 3/4" [19.1 mm] N.P.T. Condensate drain connections for ease of connection
- Chatleff metering device connections, at inlet and outlet of TXV or EEV and equalizer connections (TXV only)
- Approved for system application with variety of Ruud outdoor units
- Condensate drain pan is constructed of high grade, heat resistant, corrosion free thermal-set material
- Compatible with Germicidal Light System (UV resistant)
- Bi-Directional airflow eliminates the need to switch any internal components from horizontal left to right
- Unique drain pan design maximizes application flexibility and condensate removal
- N-Coil design maximizes performance and minimizes height required at installation
- Coils are AHRI certified for system application with a variety of Ruud outdoor units

[] Designates Metric Conversions

Coils

| <u>R</u> | <u>C</u> | <u>F</u> | <u>Z</u> | <u>24</u> | <u>14</u> | <u>S</u> | <u>T</u> | <u>A</u> | <u>A</u> | <u>M</u> | <u>C</u> | <u>*</u> |
|----------|------------------|------------------|-------------|---|--|---|--------------------|--------------|--------------------------|---|--------------------------|-------------|
| Brand | Product Category | Type | Refrigerant | Capacity | Width | Efficiency | Metering Device | Major Series | Coil Series | Orientation | Casing | Option Code |
| R = Ruud | C = Coil | F = Furnace Coil | Z = R410A | 24/25 = 24,000 BTU/H 36/37 = 36,000 BTU/H 42 = 42,000 BTU/H 48/49 = 48,000 BTU/H 60/61 = 60,000 BTU/H | 14 = 14" 17 = 17.5" 21 = 21" 24 = 24.5" | S = Standard M = Medium H = High U = Ultra | T = TXV E = EXV | A = First | A = A-Coil N = N-Coil | M = Multipoise V = Vertical only/ Convertible | C = Cased U = Uncased | * |

| TXV Models Base Tier | |
|----------------------|----------------|
| RCFZ2414STAAMC | RCFZ2414STAAVU |
| RCFZ2417MTANMC | RCFZ2417MTANVU |
| RCFZ2417STANMC | RCFZ2417STANVU |
| RCFZ2421MTANMC | RCFZ2421MTANVU |
| RCFZ3617STANMC | RCFZ3617STANVU |
| RCFZ3621MTAAMC | RCFZ3621MTAAVU |
| RCFZ3621MTANMC | RCFZ3621MTANVU |
| RCFZ3621STANMC | RCFZ3621STANVU |
| RCFZ3624MTANMC | RCFZ3624MTANVU |
| RCFZ4821STAAMC | RCFZ4821STAAVU |
| RCFZ4821STANMC | RCFZ4821STANVU |
| RCFZ4824MTANMC | RCFZ4824MTANVU |
| RCFZ4824STANMC | RCFZ4824STANVU |
| RCFZ6021STAAMC | RCFZ6021STAAVU |
| RCFZ6024STANMC | RCFZ6024STANVU |

| TXV Models Mid Tier | |
|---------------------|----------------|
| RCFZ2517STANMC | RCFZ2517STANVU |
| RCFZ3717STANMC | RCFZ3717STANVU |
| RCFZ4921STANMC | RCFZ4921STANVU |
| RCFZ6124STANMC | RCFZ6124STANVU |

| EEV Models High Tier | |
|----------------------|----------------|
| RCFZ2421HEAAMC | RCFZ2421HEAAVU |
| RCFZ2417SEANMC | RCFZ2417SEANVU |
| RCFZ2421HEANMC | RCFZ2421HEANVU |
| RCFZ2421MEANMC | RCFZ2421MEANVU |
| RCFZ3621MEAAMC | RCFZ3621MEAAVU |
| RCFZ3621MEANMC | RCFZ3621MEANVU |
| RCFZ4821SEAAMC | RCFZ4821SEAAVU |
| RCFZ6021SEAAMC | RCFZ6021SEAAVU |
| RCFZ6024SEANMC | RCFZ6024SEANVU |

Coil Specifications/Airflow Pressure Drop

| Coil Model (-)CFZ | Approx. Design Cooling Airflow Range CFM [L/s] | Face Area Sq. Ft. [m2] | Fins Per Inch/ Rows Deep | Width | Nominal Capacity | Wet Coil Static Pressure Drop (Inches W.C.) [kPa] @ CFM [L/s] – (Coil Only) | | | | | | | | | | | | | | | |
|-----------------------------|--|------------------------|--------------------------|-------|------------------|---|------------|------------|------------|-------------|------------|------------|------------|-------------|-------------|------------|------------|------------|-------------|-------------|-------------|
| | | | | | | 600 [283] | 700 [330] | 800 [378] | 900 [425] | 1000 [472] | 1100 [519] | 1200 [566] | 1300 [614] | 1400 [661] | 1500 [708] | 1600 [755] | 1700 [802] | 1800 [850] | 1900 [897] | | |
| (-)CFZ2414S* | 525/900 [248/425] | 4.56 [0.42] | 16/2 | 14 | | 0.171 [42] | 0.221 [55] | 0.278 [69] | 0.342 [85] | 0.412 [103] | — | — | — | — | — | — | — | — | | | |
| (-)CFZ2417S/ (-)CFZ2517S | 525/900 [248/425] | 4.56 [0.42] | 16/2 | 17 | 1.5 | 2 | 0.115 [29] | 0.150 [37] | 0.189 [47] | 0.232 [58] | 0.279 [69] | — | — | — | — | — | — | — | | | |
| (-)CFZ2417M | 525/900 [248/425] | 5.70 [0.52] | 16/2 | | | | 0.107 [27] | 0.137 [34] | 0.171 [42] | 0.209 [52] | 0.251 [62] | — | — | — | — | — | — | — | — | — | |
| (-)CFZ3617S/ (-)CFZ3717S | 800/1200 [378/566] | 5.70 [0.52] | 16/2 | | 2.5 | | 0.107 [27] | 0.137 [34] | 0.171 [42] | 0.209 [52] | 0.251 [62] | 0.297 [74] | 0.347 [86] | 0.401 [100] | — | — | — | — | | | |
| (-)CFZ2421M | 525/900 [248/425] | 5.70 [0.52] | 16/2 | 21 | 1.5 | 2 | 0.107 [27] | 0.137 [34] | 0.171 [42] | 0.209 [52] | 0.251 [62] | — | — | — | — | — | — | — | | | |
| (-)CFZ2421H | 525/900 [248/425] | 8.55 [0.79] | 16/2 | | | | 0.062 [15] | 0.086 [21] | 0.112 [28] | 0.140 [35] | 0.170 [42] | — | — | — | — | — | — | — | — | — | |
| (-)CFZ2421H* | 525/900 [248/425] | 7.60 [0.70] | 13/3 | | | | 0.041 [10] | 0.060 [15] | 0.081 [20] | 0.105 [26] | 0.130 [32] | — | — | — | — | — | — | — | — | — | |
| (-)CFZ3621S | 800/1200 [378/566] | 5.70 [0.52] | 16/2 | | 2.5 | 3 | | 0.107 [27] | 0.137 [34] | 0.171 [42] | 0.209 [52] | 0.251 [62] | 0.297 [74] | 0.347 [86] | 0.401 [100] | — | — | — | — | | |
| (-)CFZ3621M | 800/1300 [378/614] | 8.55 [0.79] | 16/2 | | | | 0.062 [15] | 0.086 [21] | 0.112 [28] | 0.140 [35] | 0.170 [42] | 0.202 [50] | 0.236 [59] | 0.272 [68] | 0.309 [77] | — | — | — | — | — | |
| (-)CFZ3621M* | 800/1300 [378/614] | 7.60 [0.70] | 13/3 | | | | 0.041 [10] | 0.060 [15] | 0.081 [20] | 0.105 [26] | 0.130 [32] | 0.157 [39] | 0.186 [46] | 0.217 [54] | 0.250 [62] | — | — | — | — | — | |
| (-)CFZ4821S/ (-)CFZ4921S | 1200/1600 [566/755] | 8.55 [0.79] | 16/2 | | 3.5 | 4 | | 0.062 [15] | 0.086 [21] | 0.112 [28] | 0.140 [35] | 0.170 [42] | 0.202 [50] | 0.236 [59] | 0.272 [68] | 0.309 [77] | 0.349 [87] | 0.391 [97] | 0.434 [108] | 0.480 [119] | |
| (-)CFZ4821S* | 1200/1600 [566/755] | 7.60 [0.70] | 13/3 | | | | 0.041 [10] | 0.060 [15] | 0.081 [20] | 0.105 [26] | 0.130 [32] | 0.157 [39] | 0.186 [46] | 0.217 [54] | 0.250 [62] | 0.285 [71] | 0.322 [80] | 0.361 [90] | 0.402 [100] | — | |
| (-)CFZ6021ST* | 1400/1800 [661/850] | 7.60 [0.70] | 13/3 | | | | 0.000 [0] | 0.007 [2] | 0.035 [9] | 0.063 [16] | 0.091 [23] | 0.119 [30] | 0.147 [37] | 0.175 [44] | 0.203 [50] | 0.231 [57] | 0.259 [64] | 0.287 [71] | 0.315 [78] | 0.343 [85] | |
| (-)CFZ6021SE* | 1400/1600 [661/755] | 7.60 [0.70] | 13/3 | | 3 | 5 | | 0.041 [10] | 0.060 [15] | 0.081 [20] | 0.105 [26] | 0.130 [32] | 0.157 [39] | 0.186 [46] | 0.217 [54] | 0.250 [62] | 0.285 [71] | 0.322 [80] | 0.361 [90] | 0.402 [100] | 0.444 [111] |
| (-)CFZ3624M | 800/1300 [378/614] | 8.55 [0.79] | 16/2 | | 24 | 2.5 | 3.0 | 0.062 [15] | 0.086 [21] | 0.112 [28] | 0.140 [35] | 0.170 [42] | 0.202 [50] | 0.236 [59] | 0.272 [68] | 0.309 [77] | — | — | — | — | |
| (-)CFZ4824S | 1200/1600 [566/755] | 8.55 [0.79] | 16/2 | | | | | 0.062 [15] | 0.086 [21] | 0.112 [28] | 0.140 [35] | 0.170 [42] | 0.202 [50] | 0.236 [59] | 0.272 [68] | 0.309 [77] | 0.349 [87] | 0.391 [97] | 0.434 [108] | 0.480 [119] | — |
| (-)CFZ4824M | 1200/1600 [566/755] | 9.98 [0.93] | 13/3 | 3.5 | | 4 | | 0.032 [8] | 0.049 [12] | 0.069 [17] | 0.091 [23] | 0.114 [28] | 0.140 [35] | 0.167 [42] | 0.197 [49] | 0.228 [57] | 0.262 [65] | 0.297 [74] | 0.334 [83] | 0.374 [93] | |
| (-)CFZ6024S/ (-)CFZ6124S | 1400/1600 [661/755] | 9.98 [0.93] | 13/3 | | | | 5 | | 0.032 [8] | 0.049 [12] | 0.069 [17] | 0.091 [23] | 0.114 [28] | 0.140 [35] | 0.167 [42] | 0.197 [49] | 0.228 [57] | 0.262 [65] | 0.297 [74] | 0.334 [83] | 0.374 [93] |

[] Designates Metric Conversions

Coil Specifications/Airflow Pressure Drop (Con't.)

| Coil Model (-)CFZ | Approx. Design Cooling Airflow Range CFM [L/s] | Face Area Sq. Ft. [m ²] | Fins Per Inch/ Rows Deep | Width | Nominal Capacity | | Dry Coil Static Pressure Drop (Inches W.C.) [kPa] @ CFM [L/s] – (Coil Only) | | | | | | | | | | | | | | | | |
|-----------------------------|--|-------------------------------------|--------------------------|-------|------------------|-----|---|------------|------------|------------|------------|------------|-------------|-------------|-------------|-------------|------------|-------------|------------|------------|------------|---|---|
| | | | | | | | 600 [283] | 700 [330] | 800 [378] | 900 [425] | 1000 [472] | 1100 [519] | 1200 [566] | 1300 [614] | 1400 [661] | 1500 [708] | 1600 [755] | 1700 [802] | 1800 [850] | 1900 [897] | | | |
| (-)CFZ2414S* | 600/1200 [283/566] | 4.56 [0.42] | 16/2 | 14 | | | 0.121 [30] | 0.160 [40] | 0.205 [51] | 0.256 [64] | 0.312 [78] | 0.373 [93] | 0.441 [110] | 0.514 [128] | — | — | — | — | — | — | | | |
| (-)CFZ2417S/ (-)CFZ2517S | 600/1200 [283/566] | 4.56 [0.42] | 16/2 | 17 | 1.5 | 2 | 0.097 [24] | 0.128 [32] | 0.163 [41] | 0.202 [50] | 0.245 [61] | 0.292 [73] | 0.343 [85] | 0.398 [99] | — | — | — | — | — | — | | | |
| (-)CFZ2417M | 600/1200 [283/566] | 5.70 [0.52] | 16/2 | | | | 0.112 [28] | 0.144 [36] | 0.180 [45] | 0.220 [55] | 0.264 [66] | 0.312 [78] | 0.364 [91] | 0.420 [105] | — | — | — | — | — | — | — | — | |
| (-)CFZ3617S/ (-)CFZ3717S | 600/1300 [283/614] | 5.70 [0.52] | 16/2 | | 2.5 | 3 | 0.112 [28] | 0.144 [36] | 0.180 [45] | 0.220 [55] | 0.264 [66] | 0.312 [78] | 0.364 [91] | 0.420 [105] | 0.480 [119] | — | — | — | — | — | — | | |
| (-)CFZ2421M | 600/1200 [283/566] | 5.70 [0.52] | 16/2 | 21 | 1.5 | 2 | 0.112 [28] | 0.144 [36] | 0.180 [45] | 0.220 [55] | 0.264 [66] | 0.312 [78] | 0.364 [91] | 0.420 [105] | — | — | — | — | — | — | — | | |
| (-)CFZ2421H | 600/1200 [283/566] | 8.55 [0.79] | 16/2 | | | | 0.062 [15] | 0.086 [21] | 0.112 [28] | 0.140 [35] | 0.170 [42] | 0.202 [50] | 0.236 [59] | 0.272 [68] | 0.309 [77] | 0.349 [87] | 0.391 [97] | 0.434 [108] | — | — | — | — | — |
| (-)CFZ2421H* | 600/1600 [283/755] | 7.60 [0.70] | 13/3 | | | | 0.043 [11] | 0.053 [13] | 0.066 [16] | 0.080 [20] | 0.096 [24] | 0.115 [29] | 0.135 [34] | 0.158 [39] | 0.182 [45] | 0.208 [52] | 0.237 [59] | 0.267 [66] | — | — | — | — | — |
| (-)CFZ3621S | 600/1400 [283/661] | 5.70 [0.52] | 16/2 | | 2.5 | | | 0.112 [28] | 0.144 [36] | 0.180 [45] | 0.220 [55] | 0.264 [66] | 0.312 [78] | 0.364 [91] | 0.420 [105] | 0.480 [119] | — | — | — | — | — | — | |
| (-)CFZ3621M | 600/1900 [283/897] | 8.55 [0.79] | 16/2 | | | | | 0.039 [10] | 0.056 [14] | 0.075 [19] | 0.095 [24] | 0.117 [29] | 0.141 [35] | 0.166 [41] | 0.193 [48] | 0.222 [55] | 0.252 [63] | 0.284 [71] | 0.318 [79] | 0.353 [88] | 0.391 [97] | — | — |
| (-)CFZ3621M* | 600/1900 [283/897] | 7.60 [0.70] | 13/3 | | | | | 0.043 [11] | 0.053 [13] | 0.066 [16] | 0.080 [20] | 0.096 [24] | 0.115 [29] | 0.135 [34] | 0.158 [39] | 0.182 [45] | 0.208 [52] | 0.237 [59] | 0.267 [66] | 0.299 [75] | 0.334 [83] | — | — |
| (-)CFZ4821S/ (-)CFZ4921S | 600/1900 [283/897] | 8.55 [0.79] | 16/2 | | 3.5 | 4 | | 0.039 [10] | 0.056 [14] | 0.075 [19] | 0.095 [24] | 0.117 [29] | 0.141 [35] | 0.166 [41] | 0.193 [48] | 0.222 [55] | 0.252 [63] | 0.284 [71] | 0.318 [79] | 0.353 [88] | 0.391 [97] | — | |
| (-)CFZ4821S* | 600/1900 [283/897] | 7.60 [0.70] | 13/3 | | | | | 0.043 [11] | 0.053 [13] | 0.066 [16] | 0.080 [20] | 0.096 [24] | 0.115 [29] | 0.135 [34] | 0.158 [39] | 0.182 [45] | 0.208 [52] | 0.237 [59] | 0.267 [66] | 0.299 [75] | 0.334 [83] | — | — |
| (-)CFZ6021ST* | 600/1900 [283/897] | 7.60 [0.70] | 13/3 | | | | | 0.000 [0] | 0.000 [0] | 0.016 [4] | 0.040 [10] | 0.065 [16] | 0.089 [22] | 0.113 [28] | 0.137 [34] | 0.162 [40] | 0.186 [46] | 0.210 [52] | 0.234 [58] | 0.259 [64] | 0.283 [70] | — | — |
| (-)CFZ6021SE* | 600/1900 [283/897] | 7.60 [0.70] | — 13/3 | | 3 | 5 | | 0.043 [11] | 0.053 [13] | 0.066 [16] | 0.080 [20] | 0.096 [24] | 0.115 [29] | 0.135 [34] | 0.158 [39] | 0.182 [45] | 0.208 [52] | 0.237 [59] | 0.267 [66] | 0.299 [75] | 0.334 [83] | — | |
| (-)CFZ3624M | 600/1900 [283/897] | 8.55 [0.79] | 16/2 | | 24 | 2.5 | 3 | 0.039 [10] | 0.056 [14] | 0.075 [19] | 0.095 [24] | 0.117 [29] | 0.141 [35] | 0.166 [41] | 0.193 [48] | 0.222 [55] | 0.252 [63] | 0.284 [71] | 0.318 [79] | 0.353 [88] | 0.391 [97] | — | |
| (-)CFZ4824S | 600/1900 [283/897] | 8.55 [0.79] | 16/2 | | | | | 0.039 [10] | 0.056 [14] | 0.075 [19] | 0.095 [24] | 0.117 [29] | 0.141 [35] | 0.166 [41] | 0.193 [48] | 0.222 [55] | 0.252 [63] | 0.284 [71] | 0.318 [79] | 0.353 [88] | 0.391 [97] | — | — |
| (-)CFZ4824M | 600/1900 [283/897] | 9.98 [0.93] | 13/3 | 3.5 | | 4 | 0.023 [6] | 0.038 [10] | 0.055 [14] | 0.074 [18] | 0.095 [24] | 0.119 [29] | 0.144 [36] | 0.171 [42] | 0.200 [50] | 0.231 [58] | 0.264 [66] | 0.300 [75] | 0.337 [84] | 0.376 [94] | — | | |
| (-)CFZ6024S/ (-)CFZ6124S | 600/1900 [283/897] | 9.98 [0.93] | 13/3 | | | | 5 | 0.023 [6] | 0.038 [10] | 0.055 [14] | 0.074 [18] | 0.095 [24] | 0.119 [29] | 0.144 [36] | 0.171 [42] | 0.200 [50] | 0.231 [58] | 0.264 [66] | 0.300 [75] | 0.337 [84] | 0.376 [94] | — | |

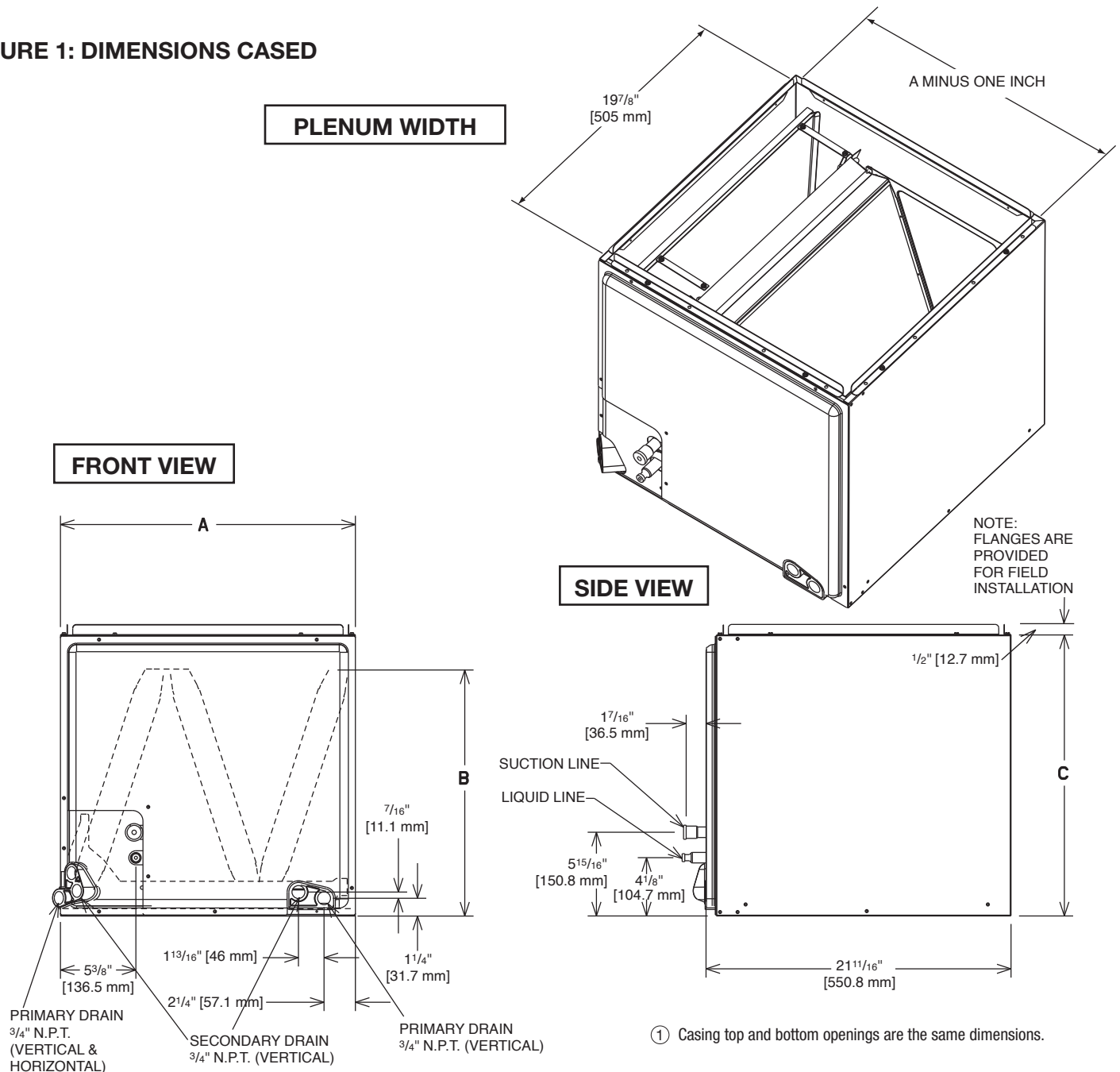
[] Designates Metric Conversions

Cased Coil Dimensions and Weights

| Coil Model RCF | Connections I.D. | | Cased Coil Dimensions (in) [mm] | | | Weight | |
|-----------------------------|------------------|-------------|--------------------------------------|---------------------------------------|---------------------------------------|--------------------------|------------------------------|
| | Sweat (in.) [mm] | | A | B | C | Coil Weight (lbs.) [Kg.] | Shipping Weight (lbs.) [Kg.] |
| | Liquid | Suction | | | | | |
| 2414S* | 3/8 [9.53] | 3/4 [19.05] | 14 [356] | 20 ¹ / ₁₆ [535] | 23 ³ / ₁₆ [584] | 45 [20] | 49 [22] |
| 2417S/2517S | 3/8 [9.53] | 3/4 [19.05] | 17 ¹ / ₂ [445] | 14 ¹ / ₂ [368] | 20 [508] | 43 [19] | 48 [21] |
| 2417M/3617S/3717S | 3/8 [9.53] | 3/4 [19.05] | 17 ¹ / ₂ [445] | 17 [454] | 20 [508] | 49 [22] | 54 [24] |
| 2421M/3621S | 3/8 [9.53] | 3/4 [19.05] | 21 [533] | 17 ¹ / ₂ [445] | 20 [508] | 51 [23] | 57 [25] |
| 2421H/3621M/4821S/4921S | 3/8 [9.53] | 7/8 [22.23] | 21 [533] | 25 [657] | 28 [711] | 71 [32] | 78 [35] |
| 3624M/4824S | 3/8 [9.53] | 7/8 [22.23] | 24 ¹ / ₂ [622] | 25 [645] | 32 [812] | 83 [38] | 93 [42] |
| 4824M/6024S/6124S | 3/8 [9.53] | 7/8 [22.23] | 24 ¹ / ₂ [622] | 30 ¹ / ₄ [768] | 32 [812] | 100 [45] | 110 [50] |
| 2421H*/3621M*/4821S*/6021S* | 3/8 [9.53] | 7/8 [22.23] | 21 [533] | 33 [838] | 34 ¹ / ₂ [876] | 76 [34] | 86 [37] |

* = "A" Coil

FIGURE 1: DIMENSIONS CASED



[] Designates Metric Conversions

Coil Application

Coils can be matched to heating products as listed in table below.

| Coil Model (-)CFZ | Furnace Width (In.) (mm) | |
|---|-----------------------------|-----------|
| | Oil* | Gas |
| 2414S 2417S/2417M/2517S 3617S/3717S | — | 14 [356] |
| 2417S/2417M/2517S 3617S/3717S | 17 [431] | 17½ [444] |
| | | 14 [356] |
| 2421M 2421H/3621S/3621M / 4821S/4921S/6021S | 21 [533] | 21 [533] |
| | | 17½ [444] |
| 3624M 4824S/4824M/6024S 6024H/6124S | 24½ [622] | 24½ [622] |
| | | 21 [533] |

*Due to the proximity of the drain pan to the high temperature oil furnace drum, horizontal left application is NOT permitted on all oil furnaces.

Accessories

• PLENUM ADAPTER ACCESSORY RXBA-AE

This plenum adapter accessory is for use with the 24½" wide cased indoor cooling and heat pump coils. This allows a 24½" wide cased coil to be installed on a 28" wide oil furnace. This is a field-installed accessory only.

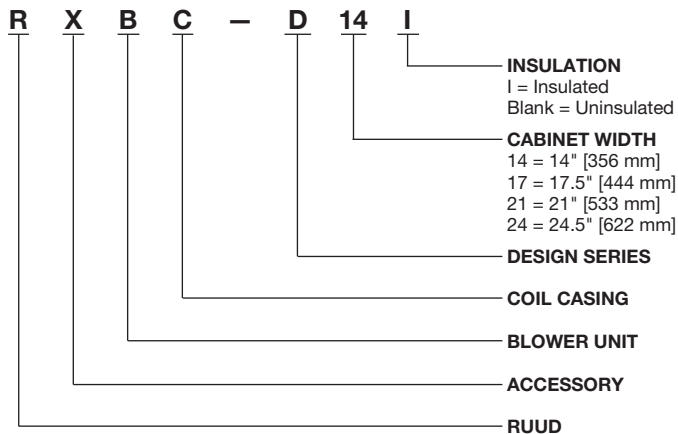
• RXBA-AC (Upflow/Horizontal)

These plenum adapter accessories are for use when a cooling coil is matched with a gas furnace of one smaller size.

• HORIZONTAL ADAPTER KIT RXHH (See Figure 2)

This horizontal adapter kit is used to convert a upflow or downflow coil (*VUA) for a horizontal application. See Table 4 to order the proper horizontal adapter kit.

• INDOOR COIL CASING- RXBC (See Table 5)



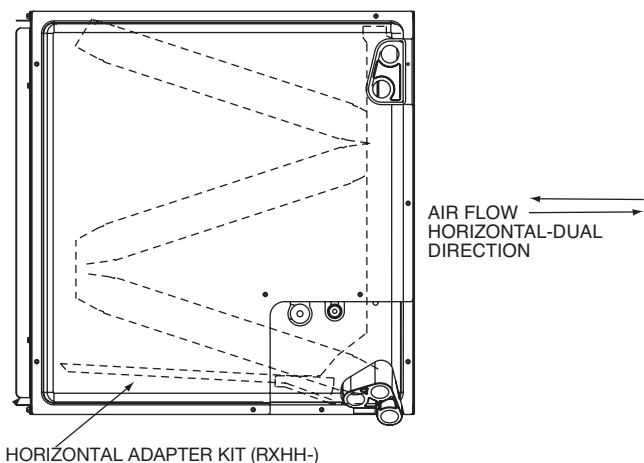
[] Designates Metric Conversions

Horizontal Adapter Kit

| Coil Model | Horizontal Adapter Kit Model No. |
|------------------|----------------------------------|
| (-)CFZ2414STAAVU | RXHH-A01 |
| (-)CFZ2417MTANVU | RXHH-A03 |
| (-)CFZ2417STANVU | RXHH-A02 |
| (-)CFZ2417STANVU | RXHH-A02 |
| (-)CFZ2517STANVU | RXHH-A02 |
| (-)CFZ2421MEANVU | RXHH-A03 |
| (-)CFZ2421HEANVU | RXHH-A04 |
| (-)CFZ2421HEAAVU | RXHH-A06 |
| (-)CFZ2421MTANVU | RXHH-A03 |
| (-)CFZ3617STANVU | RXHH-A03 |
| (-)CFZ3717STANVU | RXHH-A03 |
| (-)CFZ3621MEANVU | RXHH-A04 |
| (-)CFZ3621MEAAVU | RXHH-A06 |
| (-)CFZ3621MTANVU | RXHH-A04 |
| (-)CFZ3621STANVU | RXHH-A03 |
| (-)CFZ3624MTANVU | RXHH-A04 |
| (-)CFZ4821SEAAVU | RXHH-A06 |
| (-)CFZ4821STAAVU | RXHH-A06 |
| (-)CFZ4821STANVU | RXHH-A04 |
| (-)CFZ4921STANVU | RXHH-A04 |
| (-)CFZ4824MTANVU | RXHH-A05 |
| (-)CFZ4824STANVU | RXHH-A04 |
| (-)CFZ6021STAAVU | RXHH-A06 |
| (-)CFZ6021SEAAVU | RXHH-A06 |
| (-)CFZ6024SEANVU | RXHH-A05 |
| (-)CFZ6024STANVU | RXHH-A05 |
| (-)CFZ6024STANVU | RXHH-A05 |
| (-)CFZ6024STANVU | RXHH-A05 |
| (-)CFZ6124STANVU | RXHH-A05 |

Accessories (Con't.)

FIGURE 2: HORIZONTAL ADAPTER KIT ILLUSTRATION



Unit Dimensions and Weights

RXBC Indoor Coil Casings

| Model Number | Width (in.) [mm] | Height (in.) [mm] | Depth (in.) [mm] | Unit Weight | | Supply Air/Return Air Openings | |
|--------------|--------------------------------------|---------------------------------------|--------------------------------------|---------------------|------------------------|--------------------------------------|--|
| | | | | Weight (lbs.) [Kg.] | Ship. Wt. (lbs.) [Kg.] | Width (in.) [mm] | Depth (in.) [mm] |
| RXBC-D14AI | 14 [356] | 23 ⁷ / ₁₆ [589] | 21 ⁵ / ₈ [549] | 19 [9] | 23 [10] | 13 [330] | 19 ³¹ / ₃₂ [508] |
| RXBC-D17AI | 17 ¹ / ₂ [445] | 20 [508] | | 18 [8] | 23 [10] | 16 ¹ / ₂ [419] | |
| RXBC-D21AI | 21 [533] | 20 [508] | | 20 [9] | 26 [12] | 20 [508] | |
| RXBC-D21BI | 21 [533] | 28 [711] | | 27 [12] | 36 [17] | 20 [508] | |
| RXBC-D24AI | 24 ¹ / ₂ [622] | 32 ¹ / ₂ [826] | | 34 [16] | 44 [20] | 23 ¹ / ₂ [597] | |

Uncased Coil Adapter Kit

| Uncased Coil Adapter Model Number RXBA | A Width (in.) [mm] | Uncased Coil Model RCFP |
|--|--------------------------------------|-------------------------|
| B14x20 | 13 ¹ / ₈ [333] | (-)CFZ2414 |
| B17x20 | 16 ⁵ / ₈ [422] | (-)CFZ**17 |
| B21x20 | 20 ¹ / ₈ [511] | (-)CFZ**21 |
| B24x20 | 23 ⁵ / ₈ [599] | (-)CFZ**24 |

• UNCASSED COIL ADAPTER KIT RXBA- (See Figure 3 & 4)

This uncased coil adapter kit is used to adapt the coil to a furnace or ductwork. See Table 6 to order the proper adapter kit. Each kit contains a quantity of 20 adapters.

FIGURE 3: UNCASSED COIL ADAPTER KIT ILLUSTRATION

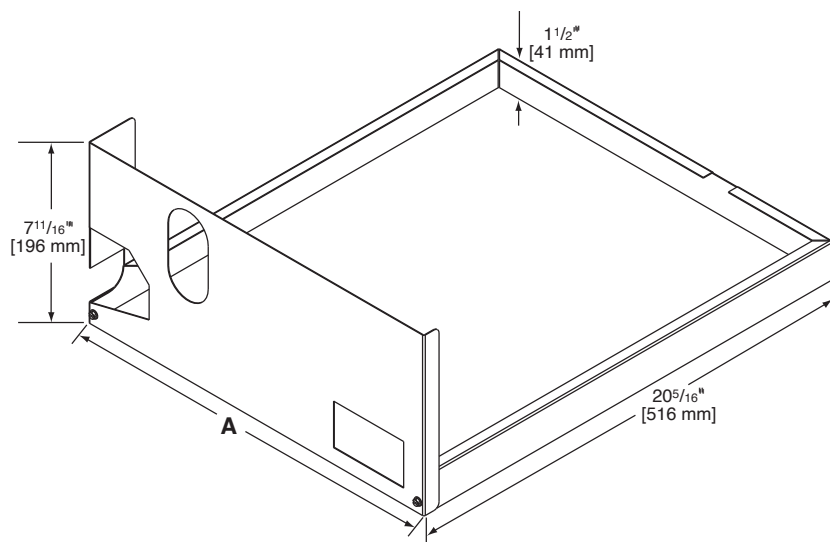
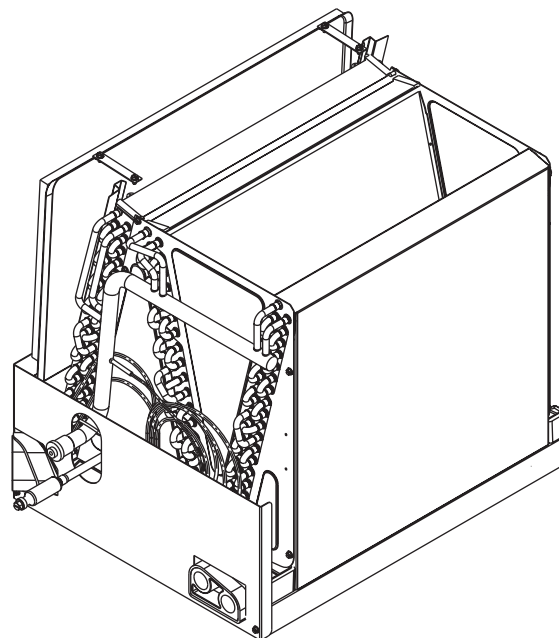


FIGURE 4: UNCASSED COIL ADAPTER KIT ASSEMBLED



Note: Sliding the coil into the coil rail before attaching coil rack front.

[] Designates Metric Conversions



GENERAL TERMS OF LIMITED WARRANTY*

Ruud will furnish a replacement for any part of this product which fails in normal use and service within the applicable period stated, in accordance with the terms of the limited warranty.

***For complete details of the Limited and Conditional Warranties, including applicable terms and conditions, contact your local contractor or the Manufacturer for a copy of the product warranty certificate.**

Conditional Parts
(Registration Required)..... Ten (10) Years

Before proceeding with installation, refer to installation instructions packaged with each model, as well as complying with all Federal, State, Provincial, and Local codes, regulations, and practices.

© 2023 Rheem Manufacturing Company. Ruud trademarks owned by Rheem Manufacturing Company.

In keeping with its policy of continuous progress and product improvement, Ruud reserves the right to make changes without notice.

Ruud Heating, Cooling & Water Heating • 5600 Old Greenwood Road
Fort Smith, Arkansas 72908 • www.ruud.com

Ruud Canada Ltd./Ltée • 125 Edgeware Road, Unit 1
Brampton, Ontario • L6Y 0P5 • ruud-canada.ca